



Shock Proof Investments®

"Nailplate Specialists"

Tel-033 330 8957

www.shockproof.co.za

4 Laurel Road, Merrivale

In association with:



DESIGN & CONNECTORS SA

About Us

Shock Proof Investments is a local supplier of roofing connectors & building materials as well as other related steel products for both the Hardware Industry as well as the Timber Treatment Industry.

Shock Proof has been supplying the industry for over 18 years and we manufacture all our own products in South Africa. All our products are tested and of the highest quality. We pride ourselves on service delivery and this is our competitive edge within the industry.

Our prime objective is to supply quality at competitive prices.

KZN

sales@nailplate.co.za

Laurel Road, Merrivale, Howick, KZN

JHB

spgauteng@nailplate.co.za

98 Richards Drive, Hambleton
Park, Unit 4

Port Elizabeth

john@nailplate.co.za

6 Woodpecker Street, Unit 4,
Cotswold, Gqeberha

Cape Town

adminct@nailplate.co.za

Unit 2 & 3 Platinum Park, Capricorn Park,
Muizenberg

Nelspruit

elias@nailplate.co.za

22 Victor Street, Rocky Drift,
White River

Product List and Details

Anti - Split Nail Plates:

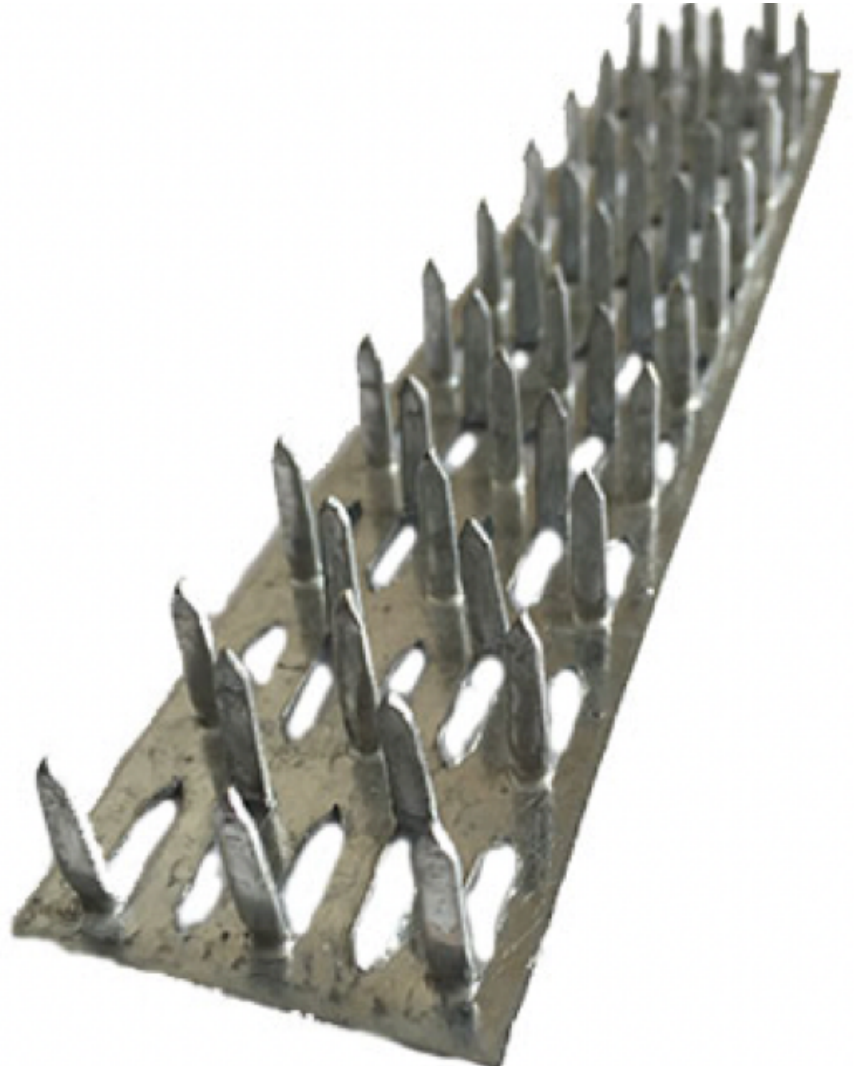
These are designed to prevent timber from splitting, and are used for site application timber connectors and timber end protectors.

Apply using a hammer.

Specifications: 1mm Z275 zink coated, lock forming.

Nail length: 14mm

Product Size	Product Code
20x120MM	AS0212
40x200MM	AS0420
50x60MM	AS0506
70x60MM	AS0706
70x80MM	AS0708
50x100MM	AS0510
100x100MM	AS1010
150x100MM	AS1510
200x100MM	AS2010

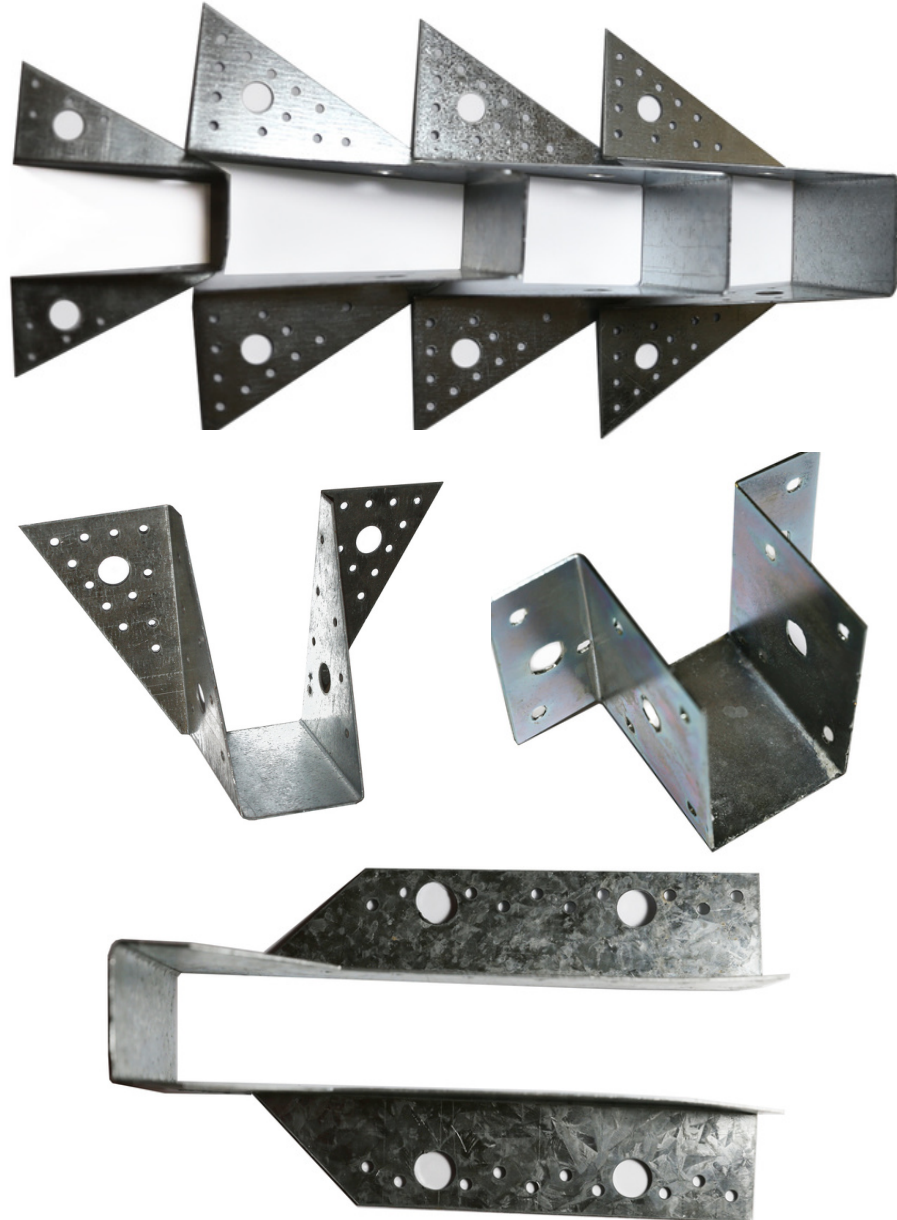


Truss Hangers:

These are used to suspend timber from other timbers and other types of walling or structures. They provide a secure means of support to connect timber beams, joists or trusses. Our Truss Hangers have been tested to support safe working loads. Apply using nails or bolts.

Specification: 1.2mm/1.6mm Z275 zink coated, lock forming.

Product Size	Product Code
90x38x1.2MM	TH38M
90x38x1.2MM	TH38S
90x38x1.2MM	TH38L
90x40x1.2MM	TH40S
90x50x1.2MM	TH50M
90x50x1.2MM	TH50S
90x55x1.2MM	TH55S
45x38x1.2MM	TH45L
45x38x1.2MM	TH45R
90x76x1.6MM	TH76



Bracing Strap:

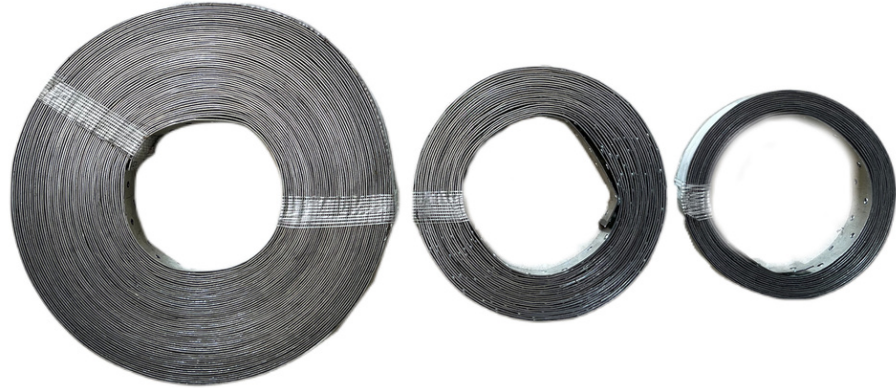
Is used when erecting roof trusses to brace sections to one another. Nail Holes are provided for easy application.

Specification: 1mm-1.2mm Z275 zink coated.

Thickness: 24mm/32mm.

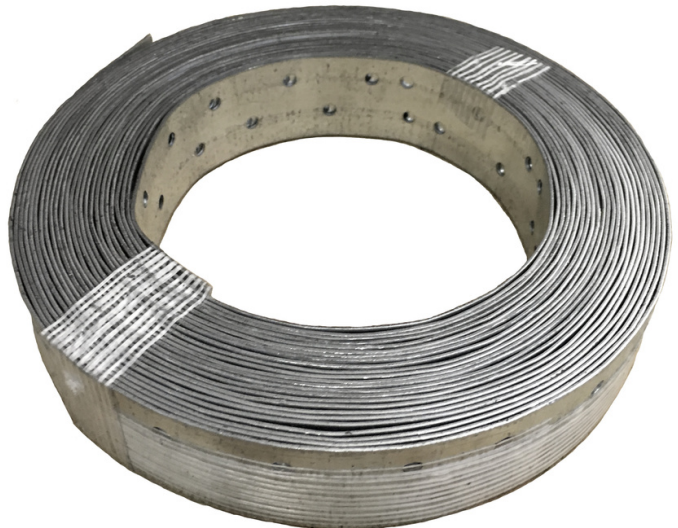
24MM (24MMX1.2MM)

Product Size	Product Code
3M	BS3M24
5M	BS5M24
10M	BS10M24
30M	BS30M24



32MM (32MMX1.2MM)

Product Size	Product Code
3M	BS3M32
5M	BS5M32
10M	BS10M32
30M	BS30M32



Hoop Iron:

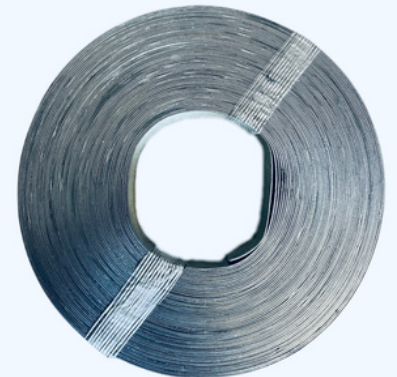
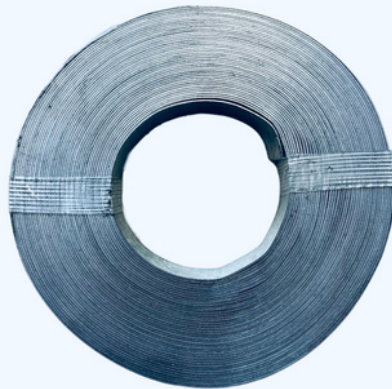
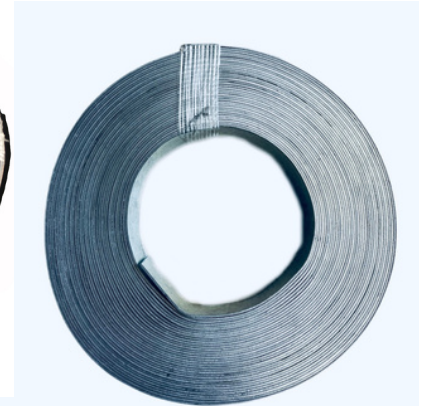
Is manufactured from high quality tested galvanised steel and varies in sizes depending on the individuals needs or specification. The application of our Hoop Iron is mainly used to brace trusses & to secure trusses to the top of the wall structure. It can also be used for various other applications in the building & construction sector.

Specifications: 1.2mm Z275 zink coated.

Thickness: 32mm.

32MM (32MMX1.2MM)

Product Size	Product Code
3M	HOOP3M32
5M	HOOP5M32
10M	HOOP10M32
15M	HOOP15M32
20M	HOOP20M32
30M	HOOP30M32
50M	HOOP50M32
100M	HOOP100M32



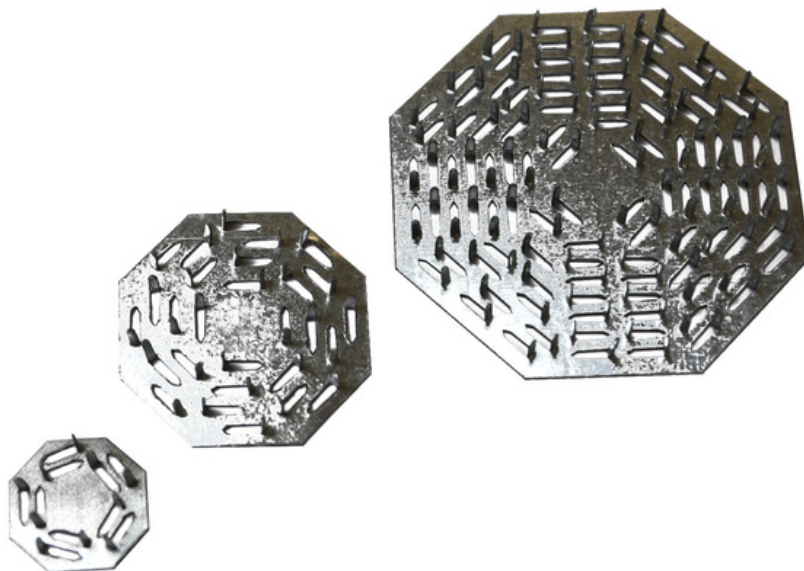
Octagonal Anti - Split Nail Plates:

These are designed for the fence and building pole market and comply to the SABS/SANS 457 Specifications. Apply using a hammer.

Specifications: 1.2mm Z275 zink coated, lock forming.

Nail length: 14mm

Product Size	Product Code
50	OCTI50MM
70	OCTI70MM
90	OCTI90MM
110	OCTI110MM
135	OCTI135MM
155	OCTI155MM
165	OCTI165MM
185	OCTI185MM
200	OCTI200MM
210	OCTI210MM



Hardware Connector Plates:

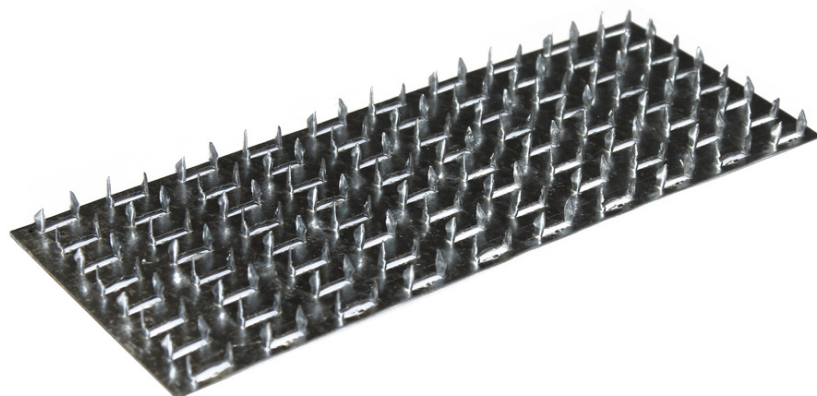
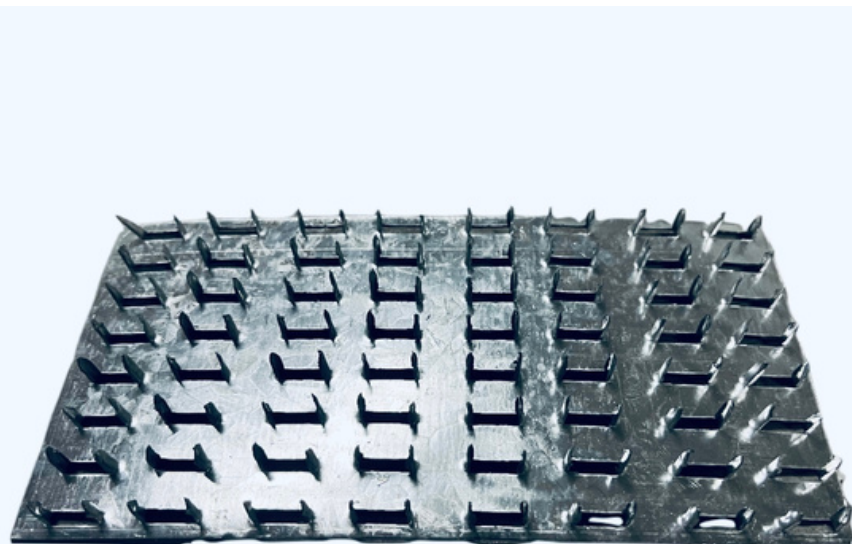
These are designed to connect timber when building carports, wendy houses, sheds etc. These plates can also be used to build Trusses in conjunction with engineer-approved drawings. One of the most common uses is site application connector plate for joining timbers. Apply using a hammer.

Specifications: 1mm Z275 zink coated, lock forming, twist nail form.

Nail length: 8.5mm

Bar Stock is available on request

Product Size	Product Code
38x75MM	HWP3875
50x100MM	HWP0510
80x130MM	HWP0813
80x180MM	HWP0818
100x100MM	HWP1010
100x150MM	HWP1015
100x200MM	HWP1020
100x250MM	HWP1025
150x150MM	HWP1515



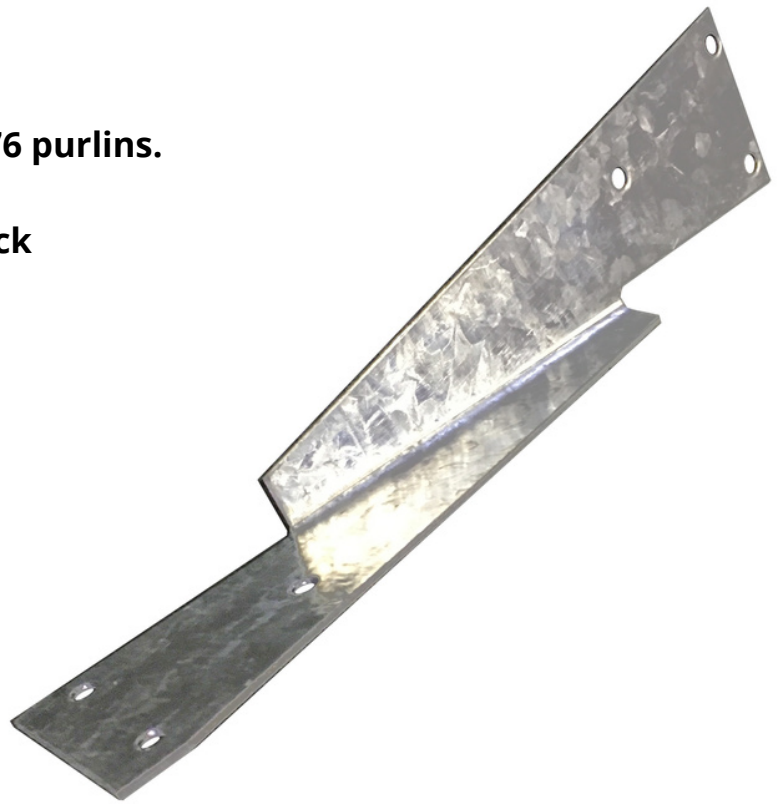
Purlin Clips:

These are generally used to secure 50x76 purlins.

Apply using a hammer and nails.

Specification: 1mm Z275 zink coated, lock forming.

Product Code
PURR-C-L
PURR-C-R



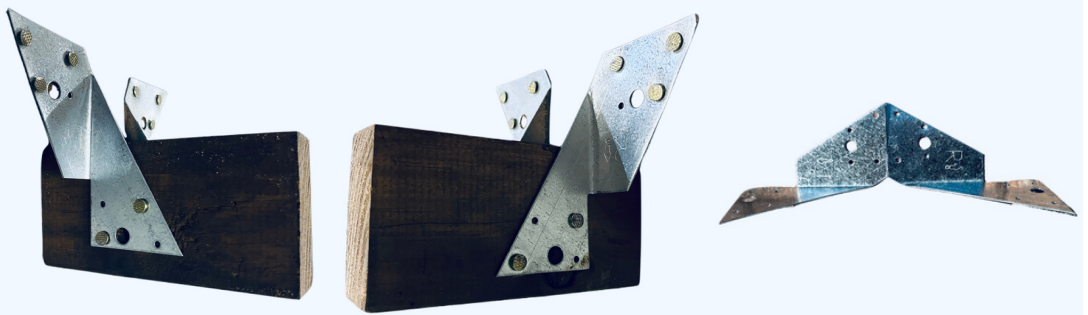
Hurricane Clips:

These are used to secure 90 joints and 50x76 purlins

battens. Apply using a hammer and nails.

Specification: 1mm Z275 zink coated, lock forming.

Product Code
HURR-C-L
HURR-C-R



Hopper Connector Plates:

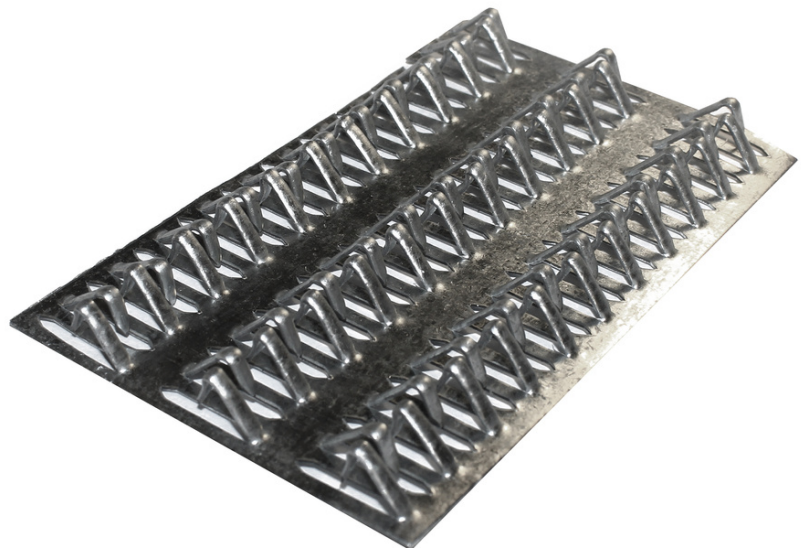
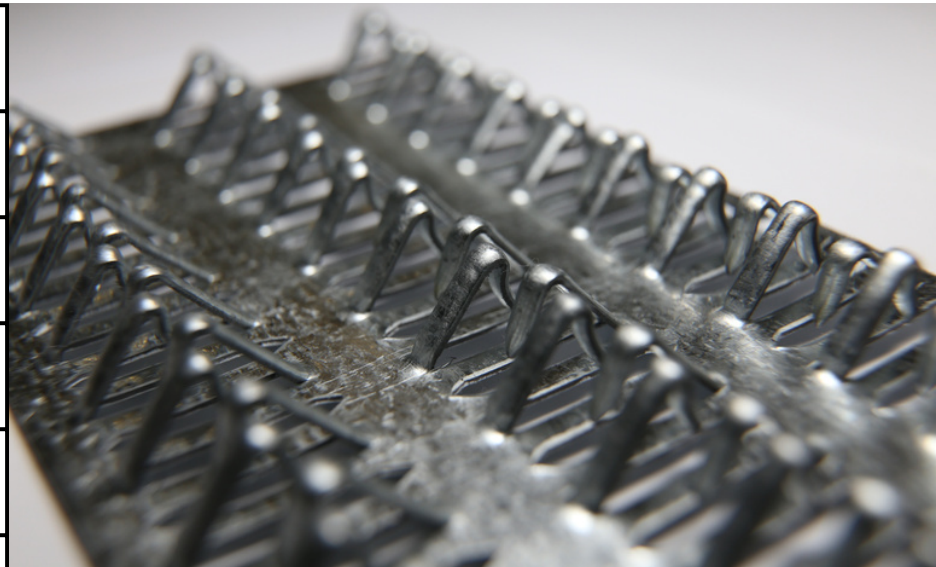
These are the ideal Nail Plate as it has no sharp edges protruding however it is also used as a on-site truss connector plate. Apply using a hammer.

Specifications: 1mm Z275 zink coated, lock forming.

Nail length: 12mm

Bar Stock is available on request

Product Size	Product Code
60x100MM	HCP0610
80x120MM	HCP0812
80x180MM	HCP0818
80x240MM	HCP0824
100x100MM	HCP1010
110x120MM	HCP1112
110x180MM	HCP1118
110x240MM	HCP1124
160x240MM	HCP1624
160x250MM	HCP1625

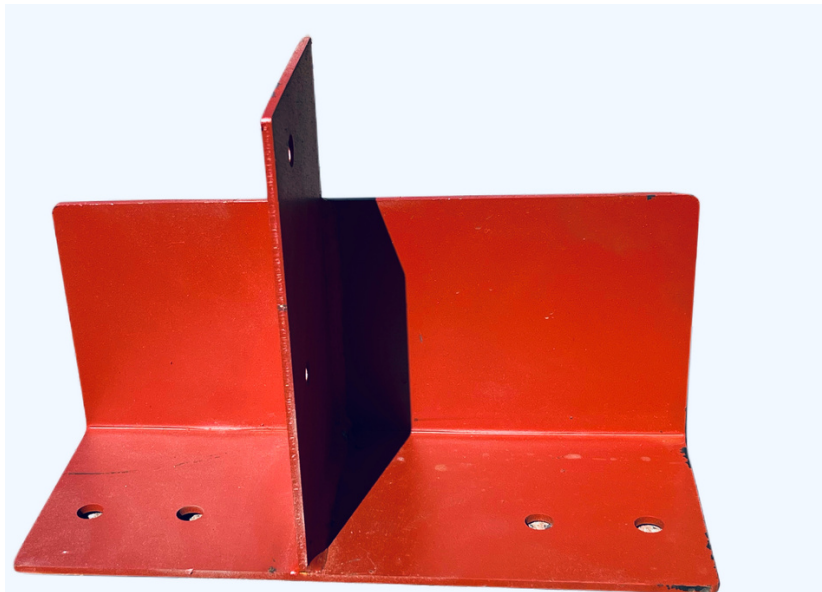
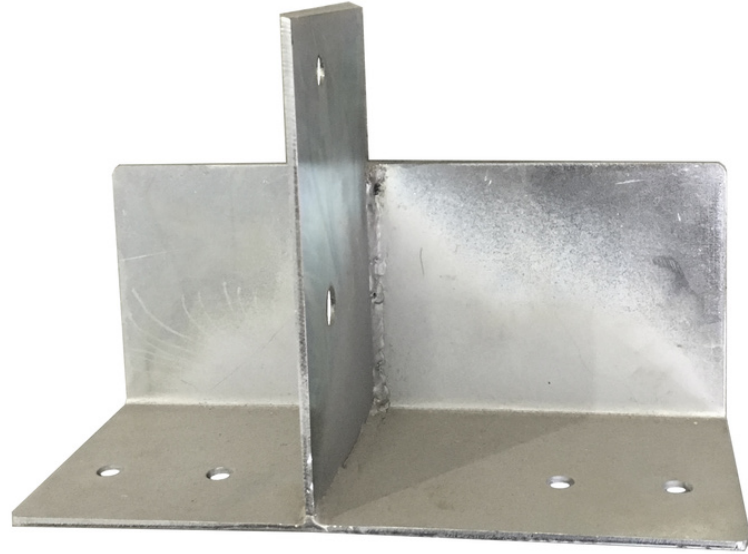


Cleats:

These are used when erecting roof trusses to create a load bearing platform. Cleats can be made of stainless grade 316 on request.

Specification: 4mm 5 microns zink coated, mild steel.

Product Size	Product Code
CLT90-5KN	90°Cleat - 5KN
CLT90-7KN	90°Cleat - 7KN
CLT90-10KN	90°Cleat - 10KN
CLT90-20KN	90°Cleat - 20KN



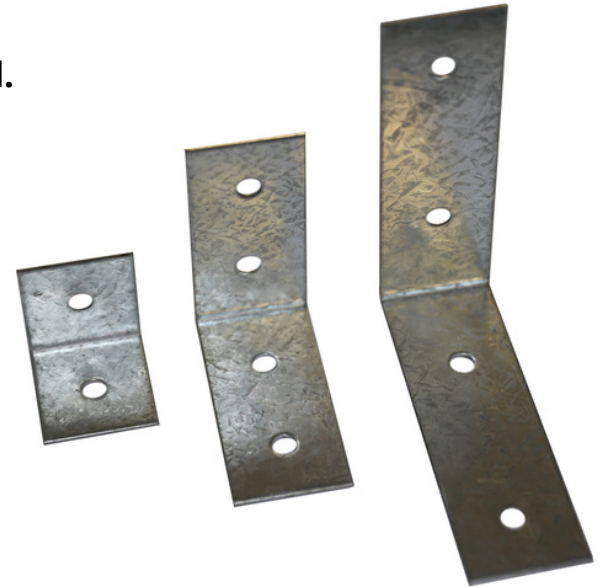
Multi-Purpose Brackets:

These are used when bracing, securing or repairing 90 degree joints. Bolt holes are provided for easy application.

Specifications: 2.5mm/4mm zink coated, mild steel.

2.5MM

Product Size	Product Code
Type A 65 x 75 x 150	MPB-A
Type B 50 x 50 x 50	MPB-B
Type C 50 x 50 x 20	MPB-C
Type D 50 x 50 x 100	MPB-D
Type E 150 x 150 x 50	MPB-E
Type F 80 x 100 x 150	MPB-F
Type G 100 x 100 x 50	MPB-G
Type H 50 x 250 x 50	MPB-H
Type I 75 x 75 x 20	MPB-I
Type J 150 x 50 x 50	MPB-J
Type K 100 x 100 x 22	MPB-K



4MM

Product Size	Product Code
Type A 65 x 75 x 150	MPB-A
Type B 50 x 50 x 50	MPB-B
Type C 50 x 50 x 20	MPB-C
Type D 50 x 50 x 100	MPB-D
Type E 150 x 150 x 50	MPB-E
Type F 80 x 100 x 150	MPB-F
Type G 100 x 100 x 50	MPB-G
Type H 50 x 250 x 50	MPB-H
Type I 75 x 75 x 20	MPB-I
Type J 150 x 50 x 50	MPB-J
Type K 100 x 100 x 22	MPB-K
Type L 100 x 100 x 100	MPB-L
Type M 100 x 50 x 50	MPB-M



Pole Hangers:

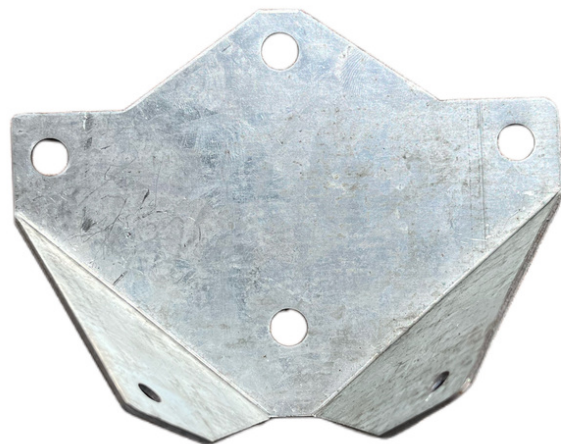
These are used to in the same way a truss hanger would be used with a rectangle piece of timber but this allows you to hang poles. We manufacture a variety of different pole hangers that are used mainly on building & fencing poles to connect them together. Other areas they are used is on wine farms, as well as farms to fence off anything. The pole hangers are used for easy application.

Apply using a hammer & nails or bolts.

Sizes: Galv 1.6 150mm, H/D 4 125mm, Pole Hanger Small, Pole Hanger Large & Spike Pole Hanger.

1.2MM/1.6MM/4MM

Product Size	Product Code
Galv 1.6MM - 150MM	PH-150-LD 1.6
H/D 4MM - 125MM	PH-125-HD 4
Pole Hanger Small - 100MM	PBS
Pole Hanger Large - 125MM	PBL
SPI Pole Hanger - 1.2MM	SPI



Universal brackets:

These are used on difficult angles and can be bent to fit most angles. Apply using a hammer and nails.

Specification: 1mm Z275 zink coated, lock forming.

Product Size	Product Code
195-90x85MM	UNI-A-B

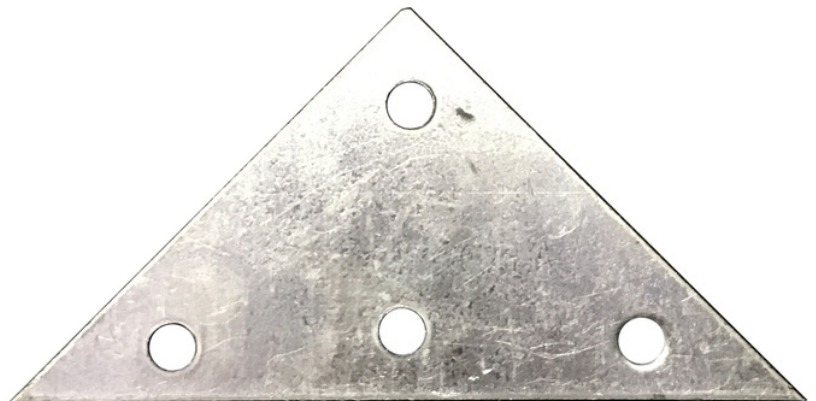


Angle Braces:

These are used to tighten up 90 joins or repairing broken dowel sections as well as frames. Screw holes are provided for easy application.

Specification: 1.2mm zink coated, mild steel.

Product Type	Product Size
A	50MM
B	70MM
C	90MM



Timber Post Brackets:

These are used on the top of a wall to firmly attached and hold a timber post in position.

Holes are provided for easy application.

Specifications: Z275 zink coated, mild steel.

Product Size	Product Code
Timber Post 80 x 125 x 60	TP80S
Timber Post 80 x 125 x 61	TP80R
Timber Post 100 x 125 x 62	TP100S
Timber Post 100 x 125 x 63	TP100R

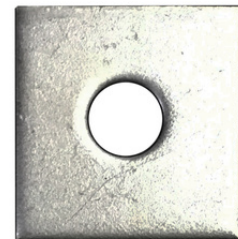


Square Washers:

These are designed with a hole in the middle for a bolt to secure it tightly. They are also used to distribute the load of a threaded fastener or to secure something firmly. Washers are also important for preventing galvanic corrosion. Apply using a bolt or nut.

Specification: 4mm zink coated, mild steel.

Product Size	Product Code
37 x 37 x 4MM	SW37
50 x 50 x 4MM	SW50



Bullet Hinges:

These are used as the top and base hinging system for gates and other types of door systems.

Specifications: 1-1.6mm zink coated, mild steel.

Product Type	Product Size
Bullet Hinge Straight	20MM Ø x 65MM
Bullet Hinge Offset	20MM Ø x 65MM
Bullet Hinge Straight	20MM Ø x 65MM - Welded
Bullet Hinge Offset	20MM Ø x 65MM - Welded



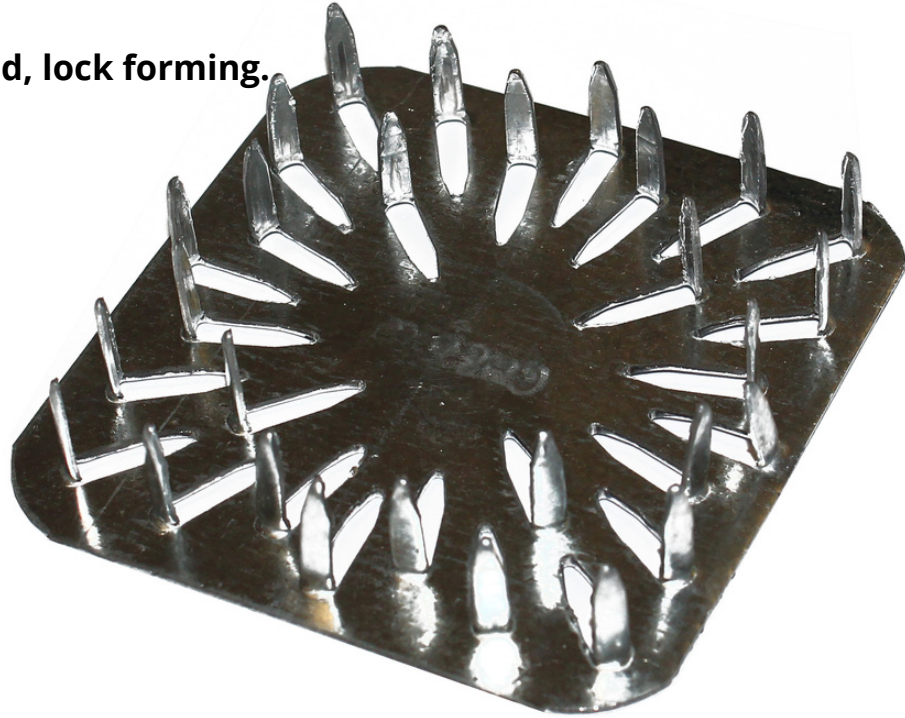
Pallet Nail Plates:

These are used for pallet blocks and timber pole ends. Pallet nail plates are coupled between the individual ends of connector boards and the individual ends of the end deck boards. Apply using a hammer.

Specifications: 1mm Z275 zink coated, lock forming.

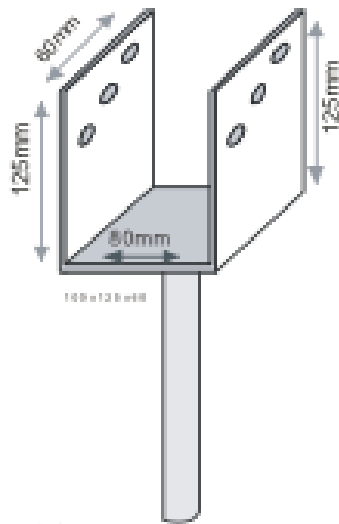
Nail length: 14mm

Product Size	Product Code
80x80MM	SRC80
90x60MM	PP0906

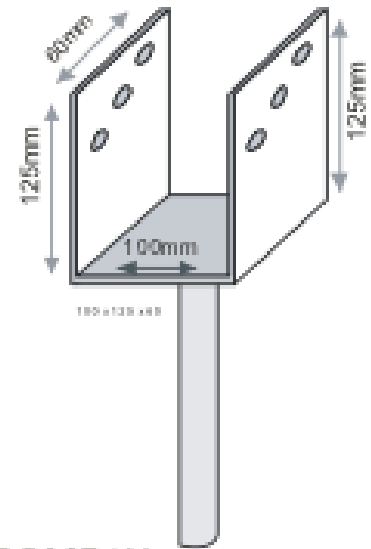


Timber Post Bracket Layout

Strait:

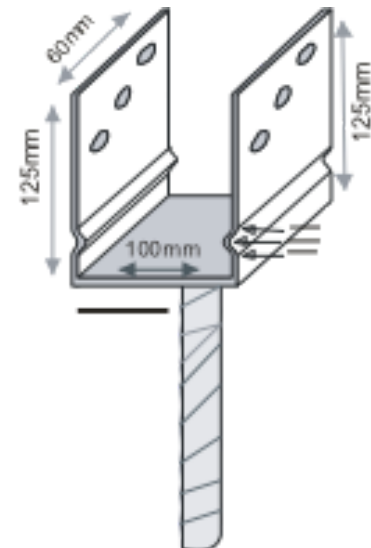
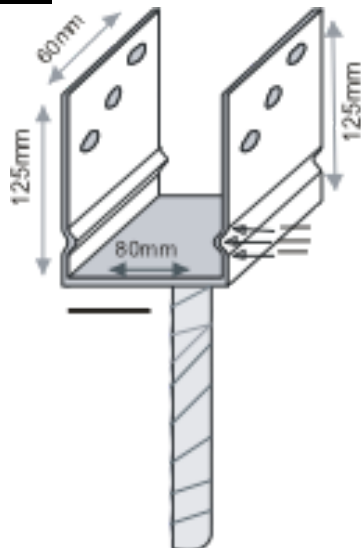


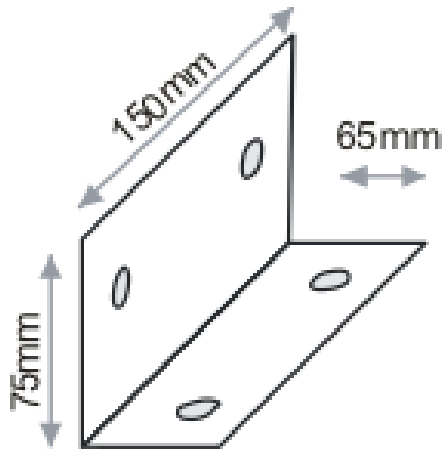
TIMBER POST 80
POST 80F BRACKET
80 X 125 X 60



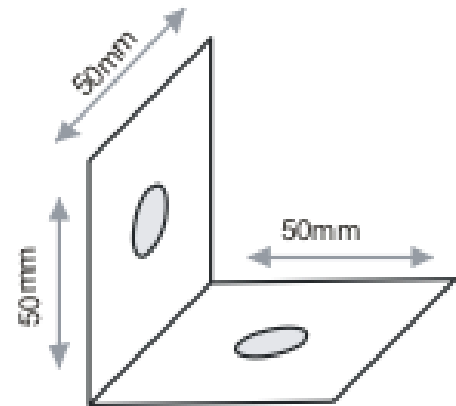
TIMBER POST 100
POST 100F BRACKET
100 X 125 X 60

Reedbar:

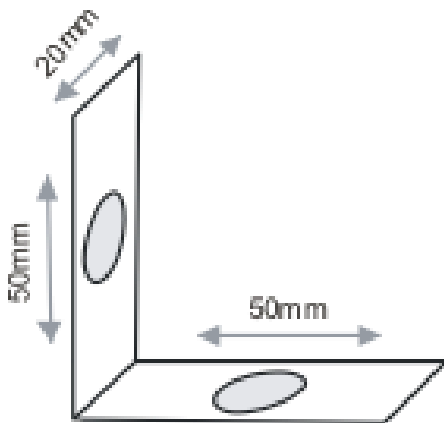




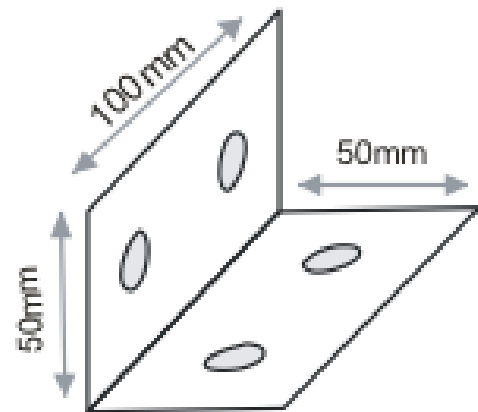
TYPE A
MULTI PURPOSE BRACKET
65 x 75 x 150



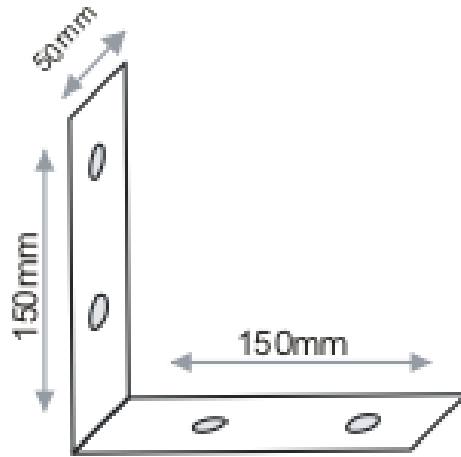
TYPE B
MULTI PURPOSE BRACKET
50 x 50 x 50



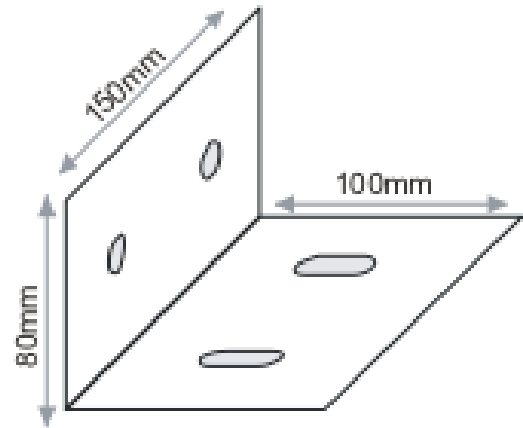
TYPE C
MULTI PURPOSE BRACKET
50 X 50 X 20



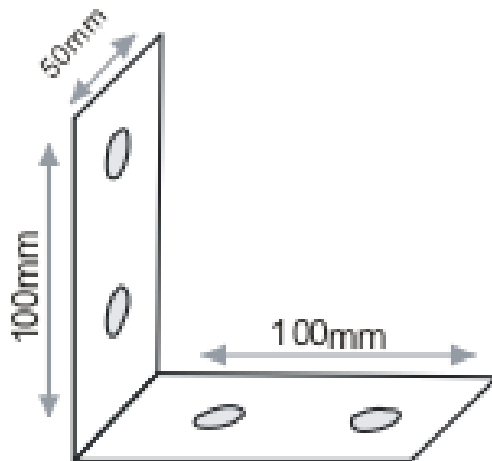
TYPE D
MULTI PURPOSE BRACKET
50 X 50 X 100



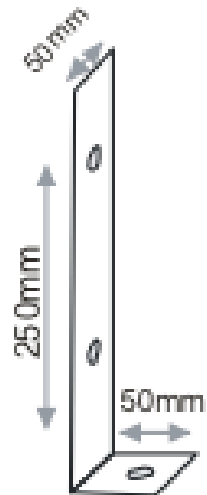
TYPE E
MULTI PURPOSE BRACKET
150 X 150 X 50



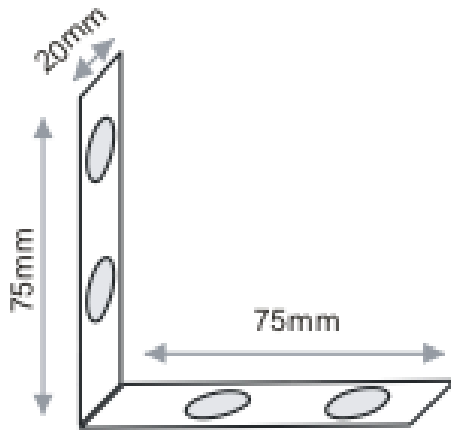
TYPE F
MULTI PURPOSE BRACKET
100 X 80 X 150



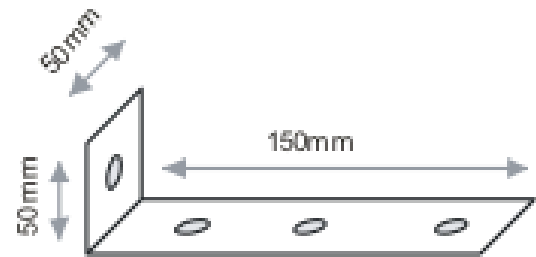
TYPE G
MULTI PURPOSE BRACKET
100 X 100 X 50



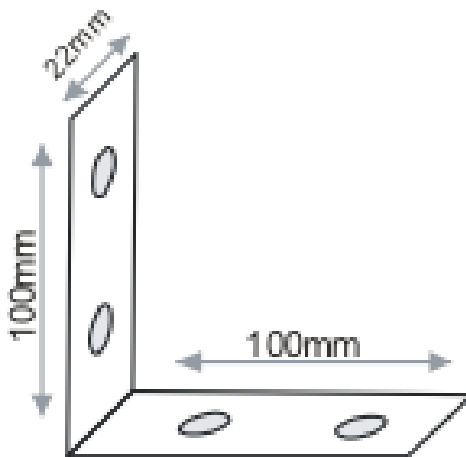
TYPE H
MULTI PURPOSE BRACKET
50 X 250 X 50



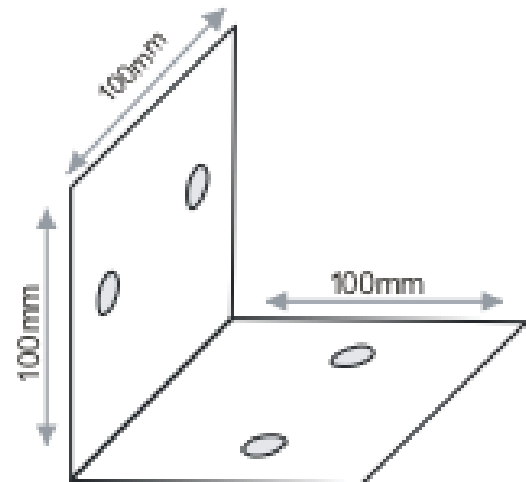
TYPE I
MULTI PURPOSE BRACKET
75 x 75 x 20



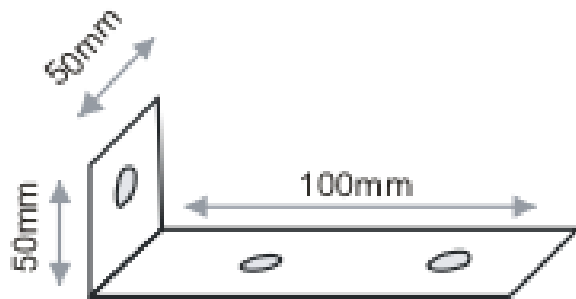
TYPE J
MULTI PURPOSE BRACKET
150 x 50 x 50



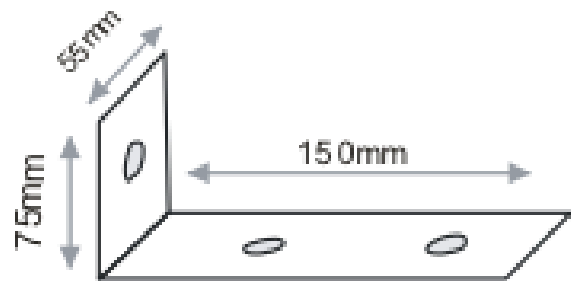
TYPE K
MULTI PURPOSE BRACKET
100 x 100 x 22



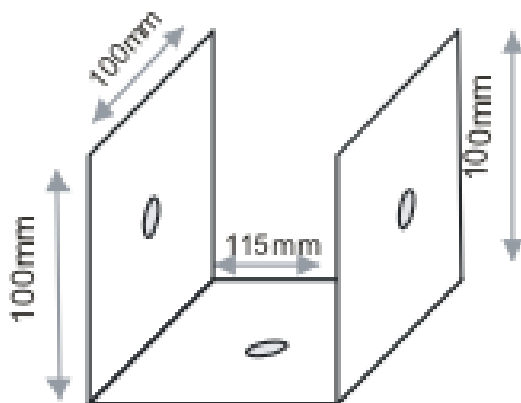
TYPE L
MULTI PURPOSE BRACKET
100 X 100 X 100



TYPE M
MULTI PURPOSE BRACKET
100 X 50 X 50



TYPE N
MULTI PURPOSE BRACKET
150 X 75 X 55



TYPE O
MULTI PURPOSE U BRACKET
115 X 100 X 100

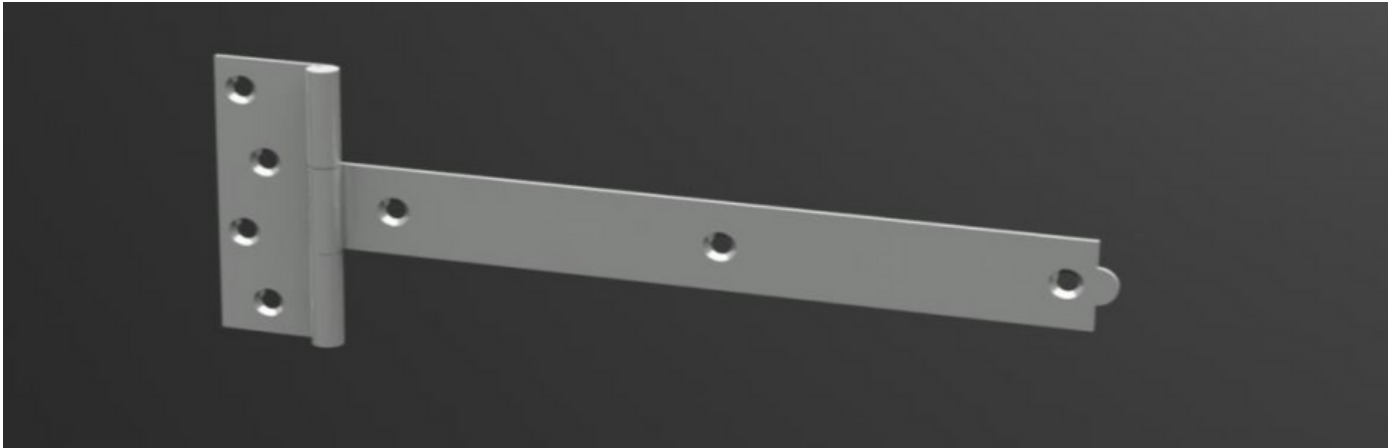
In-store Concept Stands

- Great Marketing Tool
- Perfect for Maximising Sales
- Very Effective & Efficient
- Customised Sign



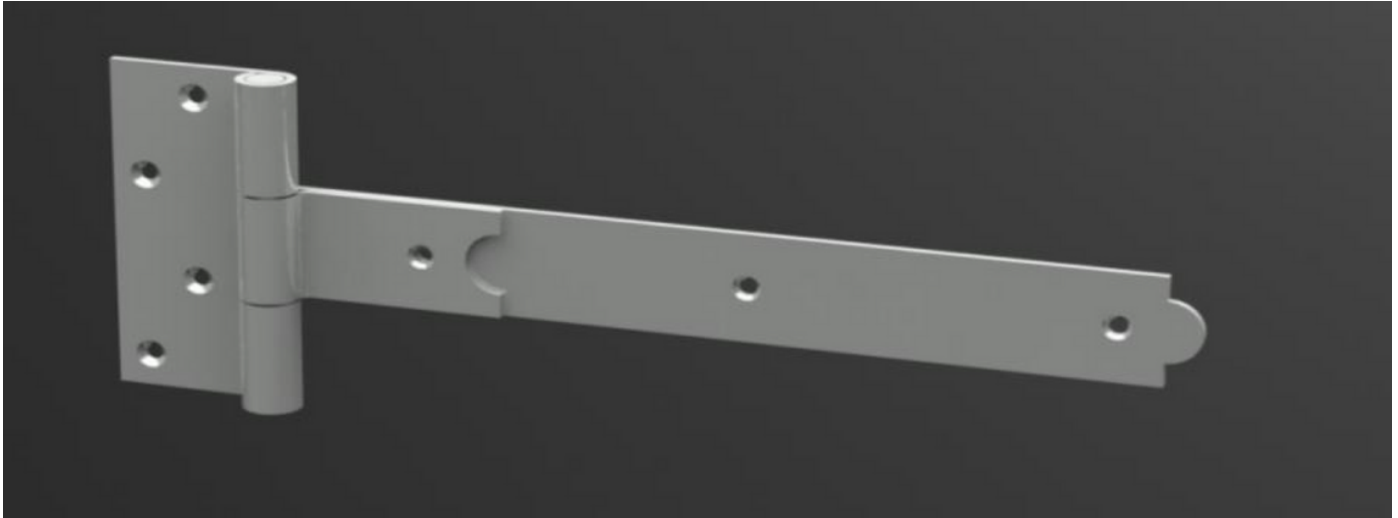


2MM Light Duty T-Hinges Galvanised



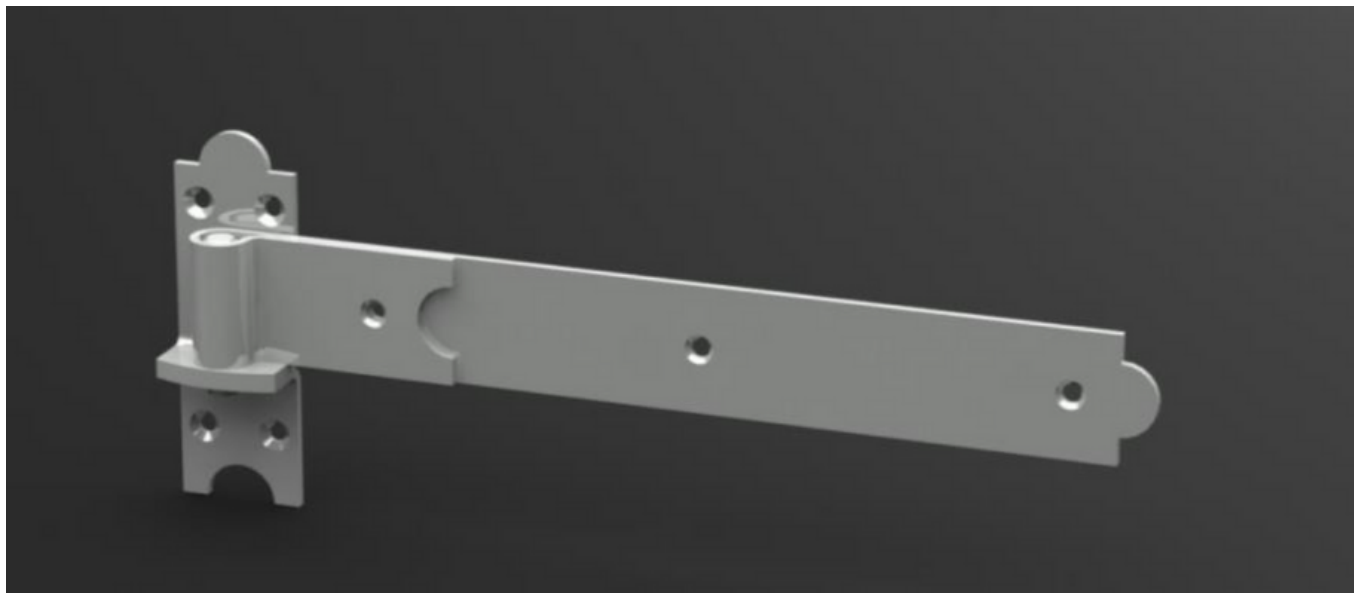
Product Code	Product Size
GLTH250	250 X 2MM
GLTH300	300 X 2MM
GLTH350	350 X 2MM

3MM Heavy Duty T- Hinges Galvanised



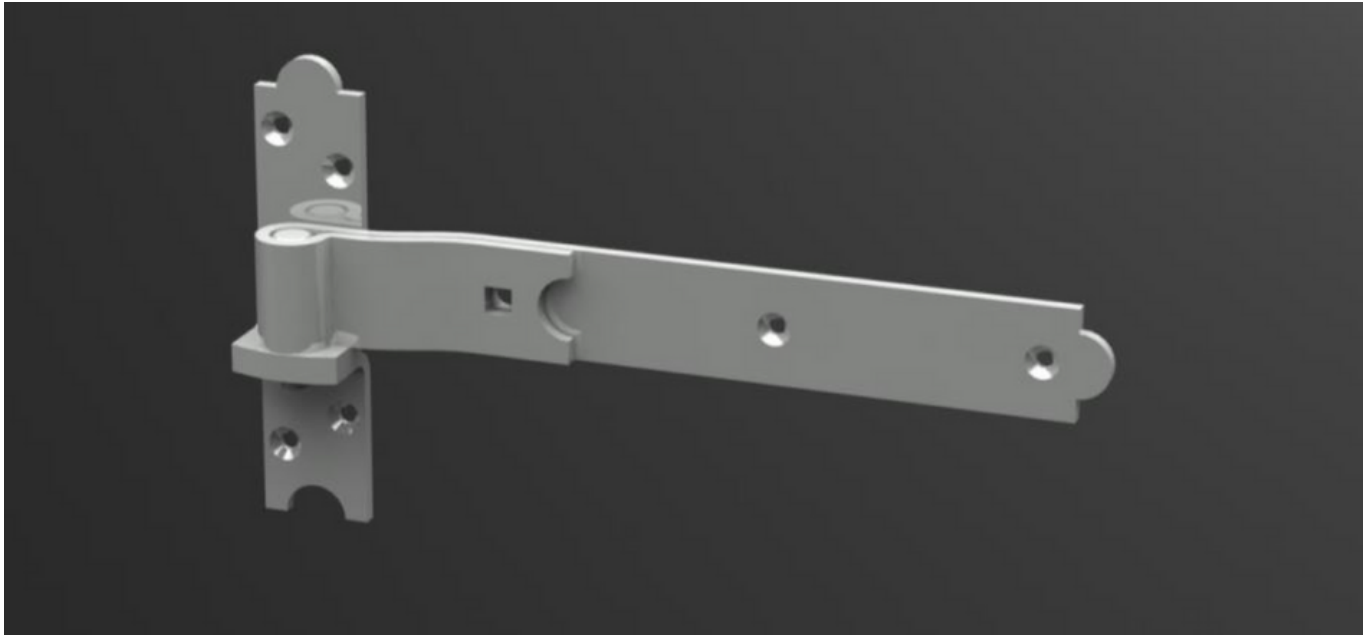
Product Code	Product Size
GHTH300	300 X 40 X 3MM
GHTH350	350 X 40 X 3MM
GHTH400	400 X 40 X 3MM
GHTH450	450 X 40 X 3MM

3MM Hook & Band Hinges Galvanised



Product Code	Product Size
GHB250	250 X 40 X 3MM
GHB300	300 X 40 X 3MM
GHB350	350 X 40 X 3MM

5mm Heavy Duty Hook & Band Hinges Galvanised



Product Code	Product Size
GHHB300	300 X 40 X 5MM
GHHB400	400 X 40 X 5MM
GHHB450	450 X 40 X 5MM