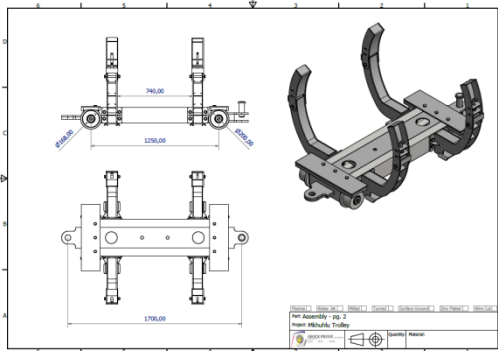
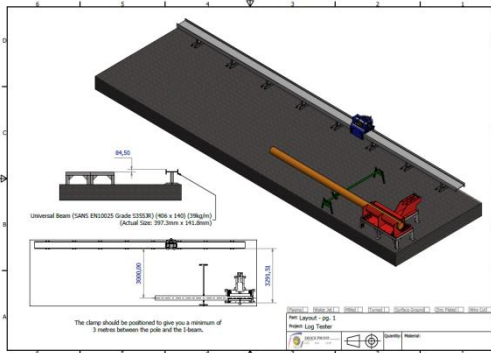


Shock Proof Investments®

**Need something fabricated?**

**With on board engineers we can help you with all fabrications at very competitive prices.**



**Contact Details: [sales@nailplate.co.za](mailto:sales@nailplate.co.za)**

**033- 330 8957**

**071 301 6175**

**[www.shockproof.co.za](http://www.shockproof.co.za)**

**Address- 4 Laurel Road, Merrivale, Howick, KZN**

